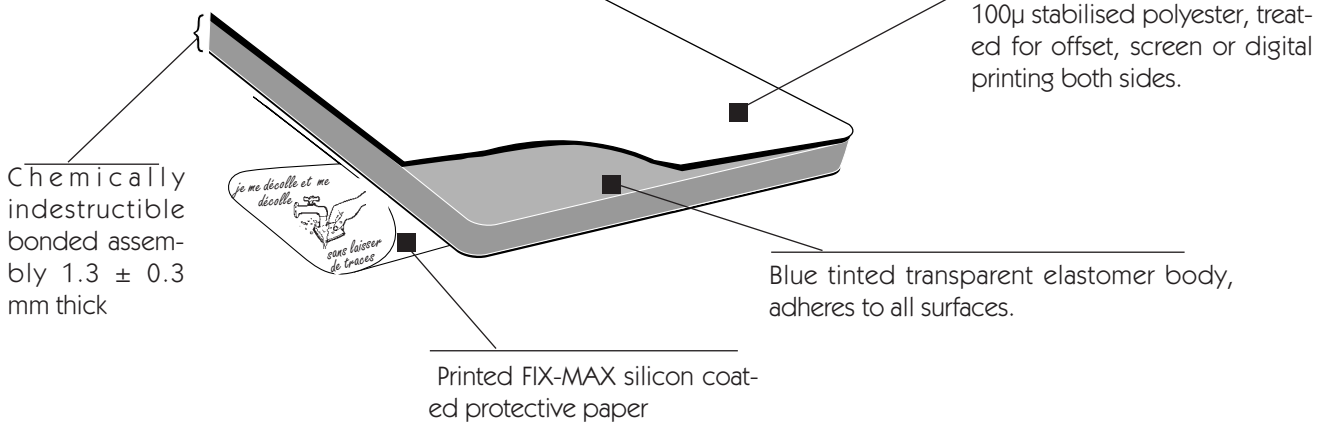


NOVA FIX-MAX

Technical Specifications



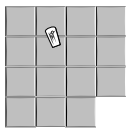
Total versatility serving your creativity



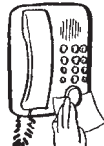
Glass



varnished wood



tiles



plastic

- Can be stuck and unstuck a thousand times on any clean, smooth surface, without leaving marks*
- If they stop sticking – simply run under water to revive them
- Complies with Children's Usage Standards 71/1, 2 and 3
- Offset, screen and digital printing available on both sides
- All shapes available
- Vitrification can be combined with dual sided printing



metal



paintwork



paper

* subject to tests to be run on fragile materials

TECHNICAL CHARACTERISTICS

HARDNESS NF ISO 868		8 shore A	TACK		PEELING AT 90°	
BREAK RESISTANCE	NF x 41 025	700 Pa	PVC	479 cN/cm	PVC	at 0° 228 cN/cm
	with polyester	452 Pa	Stainless steel	159 cN/cm		at 25°C 173 cN/cm
	without polyester		Varnished wood	323 cN/cm		at 80°C 132 cN/cm
STRETCH ON SHEARING	NF x 41 025	15%	Wallpaper	113 cN/cm	Glass	at 0°C 187 cN/cm
	with polyester	286%	Polyamide fabric	21 cN/cm		at 25°C 167 cN/cm
	without polyester		80 g paper	52.8 cN/cm		at 80°C 63 cN/cm
SHEAR RESISTANCE	with polyester	7.7 N	PRESSURE RESISTANCE (traction)		Mylar Polyester 23 µm	812 cN/cm
	without polyester	2.3 N	PVC	922 cN/cm	PEELING AT 90°	
LIGHT RESISTANCE	NF G 52.302	6	Glass	617 cN/cm	Mylar Polyester at 23 µm 135 cN/cm	
	(on blue scale)					

These values are only indicative and may change as improvements are made

Technical documents to be provided

FIX-MAX

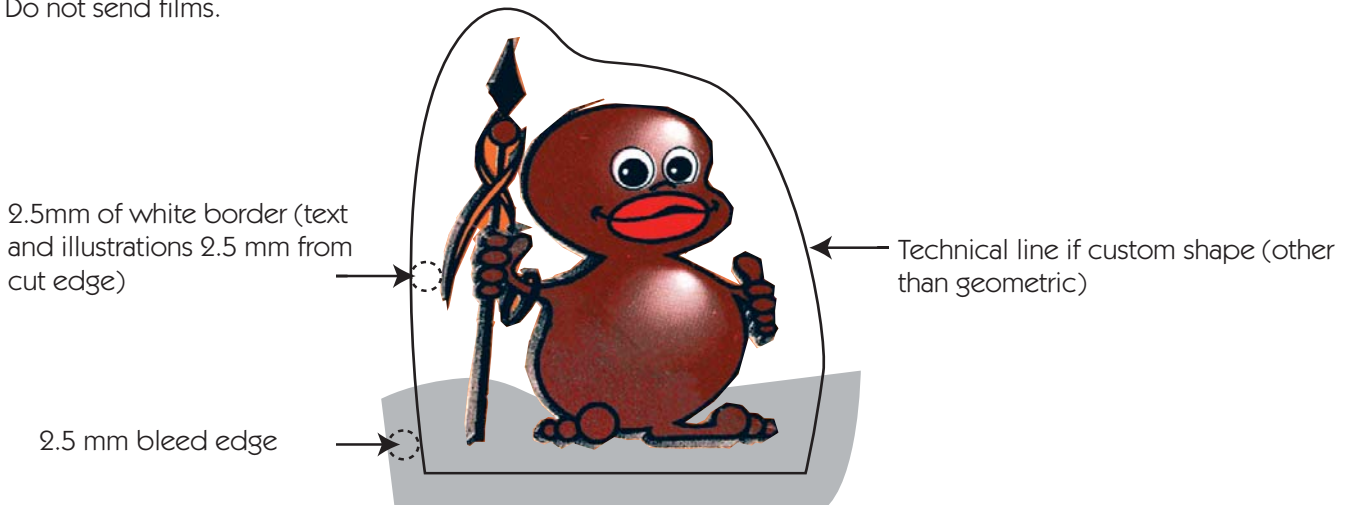
We'll create the films and layout

If you are providing us with computer media, ask for our specifications sheet.

The computerised Fix-Max document must be mono-block, i.e.: texts, images, fonts (to supply or vectorised) and logo created with same software package, so to have just one final, real size image, the cutting line, must not be included in the image.

The minimum we need from you :

- The format and cutting profile required
- A mock-up of the location required for your text and images in the selected format
- Logos: as big and as crisp as possible
- Colour samples or the required Pantone references
- The originals of the drawings, paintings, Ektachromes or photos you wish to reproduce..
- Colour proof (or Cromalin)
- Do not send films.



REVERSE SIDE

- The standard reverse side is a semi (see below)
- Generally the reverse side is printed with a light colour, so that transparency does not make it visible from the front. (Pantone grey 430C)
- Should you wish to customise the reverse side with the same data as the front, simply allow for a 3mm wide internal white border (example below)
- If the item is destined for children: allow for the legal marking **CE** (compliance with standards EN71-1,2,3). If the item is small, specify: "Not suitable for children of under three years of age. Could be swallowed."



Standard reverse side



Customised reverse side



Caution ! because the NOVA mouse mats are printed on a coarse clear plastic surface, colour sharpness and brightness may vary slightly from original proof.

Please don't hesitate to ask our advice!

NOVA Fix-Max & Magnets*

Technical Specifications

Cutting with common cutting lines

Cutting with common cutting lines enables optimised surface for a given item format

- The items are square or rectangular with right angled corners
- The background colours for the items must be uniform
- the background colours of the FIX-MAX must be smooth
- 2.5 mm bleed edge
- Leave at least 5mm between the cutting lines

